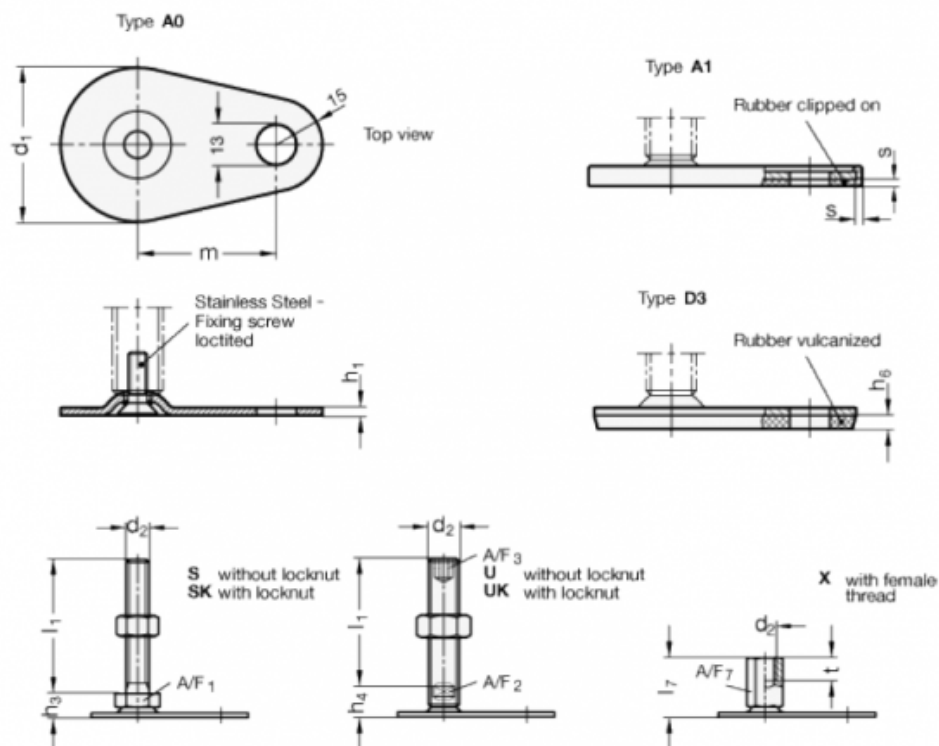


# Data Sheet



Article number: 204260M1232D3X  
Description: E+G levelling foot  
GN 42-60-M12-32-D3-X  
Note: X With female thread, External hexagon

## Measures



A/F7 = 17

t = 12

d1 = 60

d2 = M12

h1 = 2.5

h6 = 4.5

l7 = 32

m = 50

s =